

**CONFERENCE:
SOCIAL COMMONS
SOCIAL JUSTICE
SYSTEM CHANGE**

**ORGANISERS: AEPF
& TRANSFORM
EUROPE**

**8.-10. JUNE 2018
BARCELONA**

TRANSFORM ! EUROPE

**„PRODUCTIVE
TRANSFORMATION“**

ROLAND KULKE

BASICS

Multiple crisis in the beginning of the 21st century:

Attack of capitalism against the **nature-humanity complex**. The current economic model of the capitalist world system is undeniably unsustainable.

From the perspective of **unemployed** from the view point of **whole regions**, which get completely **de-industrialised** the current challenges look different. **Jobs, Jobs, Jobs** is the motto in these regions.

Having a strong innovative and competitive **industrial sector is a means of power**, also state power vis-à-vis competitors, a.k.a. neighbouring states. (DM-Block vs periphery)

We want to stimulate the discussion how we can achieve truly democratic societies inside the planetary boundaries.

European production chains and the division of labor

- privatized Keynesianism and the German mercantilist model.
- The reconstruction of the European economy follows the interests of the German capital. New centre has emerged around manufacturing chains value of Germany, Central Europe and Northern Italy.
- This network has cut its connection to the periphery of southern Europe.

WHAT WE DO?

This is part of the more theoretical knowledge production

Open for cooperation with groups working on regulation of financial system (15th Sept #10years crisis)



Technology, industry 4.0, labour and new forms of organization

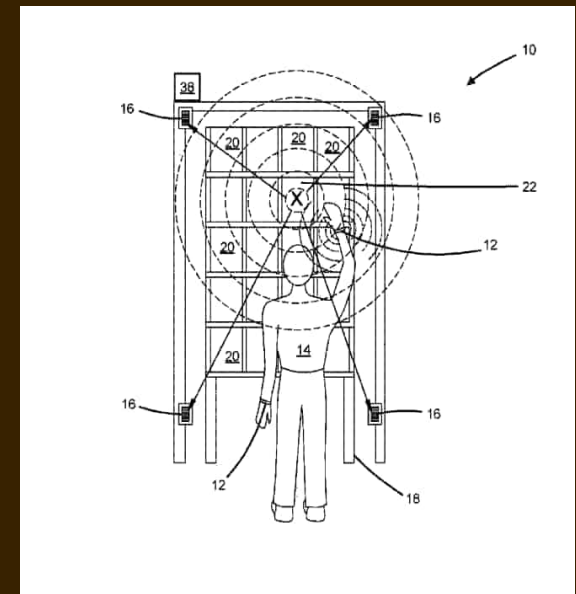
- **EU – 2 possibilities:** either you are centre of value chains, or you can be happy if you host suppliers (CEE)
- **Industry 4.0** is latest development to obtain control of production chains & the workers
- **software scripts** (initiate them remotely unknown to workers)
- Each product is marked with a bar code → each worker, can be tracked in real time to **control** their productivity, in 3D, not any longer in 2D → "**1984ish**" → no legal restrictions on this!
- Workers not aware of the changes of scripts of the machines → great source of **alienation** and what Gaddi / Garbellini call "**technological stress.**"
- **Trade unions must acquire software skills**, understand the scripts and must fight to influence their design.

WHAT WE DO?

Threat or possibilities for us?

I hope for training with Trade Unions

Disseminating knowledge and informing members of the public



Industrial policy at European level and public ownership of the means of production

- The **legal framework of the EU** in regard to policy room for economic / industrial policy
- **Production** of publicly own firms is ok, as long as 100% financed by state
- Where do they get money? **National development banks**, (KfW, Cassa Depositi e Prestiti). Not part of the public budget. If political power prevails, these banks can be involved in domestic production and also in general support for the economy.
- Public Hand not forced to sell their shares once they supported SME → be part of the board.

WHAT WE DO?

Presenting concrete solutions we can ask our parties, governments to initiate this afternoon.

Influencing election programs

In my personal perception this knowledge gives immediate hope to people

L'État - c'est nous.



Lénine

The Global South

- Neighbourhood of EU – North Africa and CEE → deeply integrated into European capitalists value chains.
- Trade Policies → TiSA, WTO new digital agenda (GAFA), hard core monopolisation of “the new oil”, our data (ISDS, regulatory cooperation)

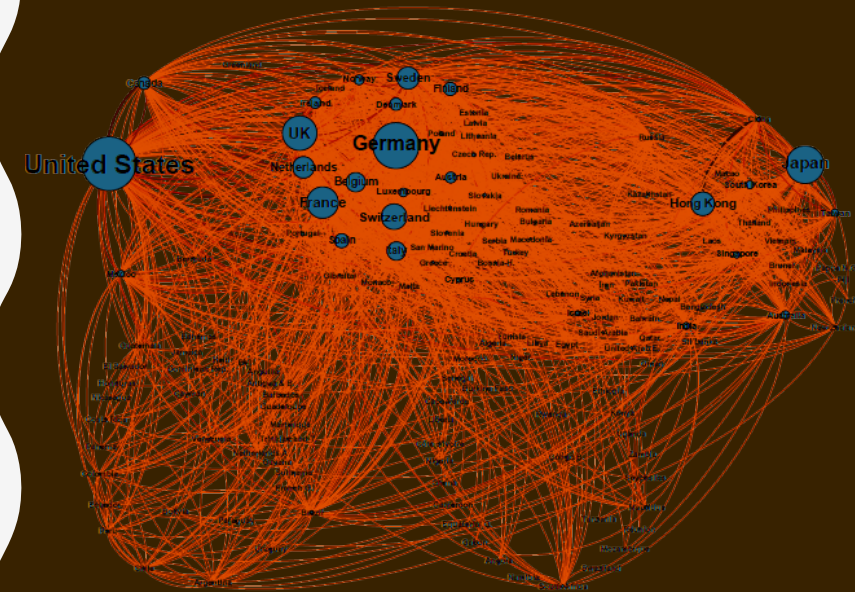
WHAT WE DO?

Support Anti-Free Trade Campaigns

Stimulating debate on trade in left parties

Trying to link trade union struggles especially in the Mediterranean Sea (sinistra mare nostrum?)

Linking trade and migration



Planetary Boundaries / Energy Democracy / Just Transition

First of all: No transformation project that aims for growth is possible. Three of nine planetary boundaries have already been crossed.

- Just transition: social movement of environmentalists and trade unionists → both in coal/energy sector, but also in the automotive sector?
- Deglobalize, reterritorialize and radically relocate production
- Support a strictly rural local agriculture.
- Transport system (E-Cars no solution)
- Energy cooperations (energy democracy and “economic citizenship”)

WHAT WE DO?

How can we think a transformation in real terms?

Conversion in sectors like automotive sector?

How to reconcile macroeconomic actions on EU/national level with local/regional economic economies?



Things to do, not yet achieved

Productive transformation of the
real economy and feminist
economics